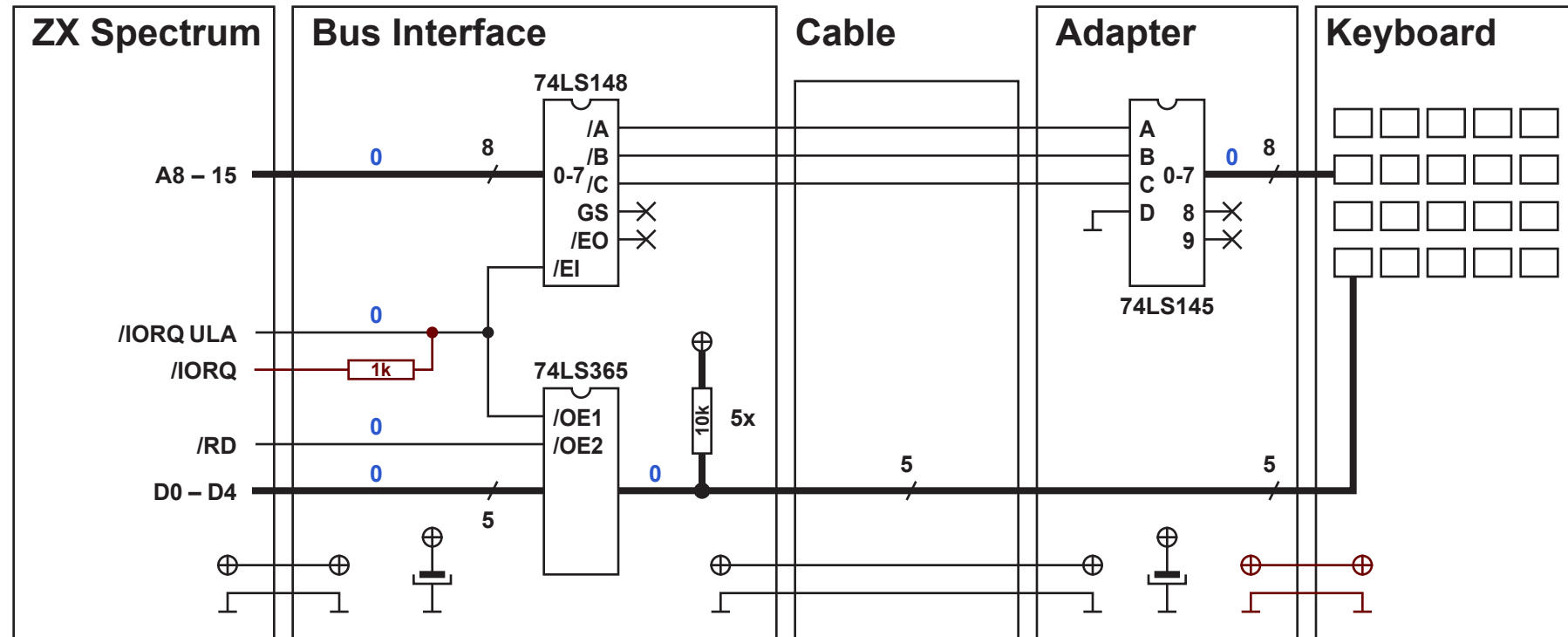


External Keyboard Connector for ZX Spectrum

Circuit and Drawing 2006 kio@little-bat.de
v.2



Notes:

the 1k resistor from /IORQ aids in pulling down the additional loads on /IORQ ULA. It is probably not required and may be omitted.

The 74LS148 has inverted A/B/C outputs. Therefore the input lines A8 to A15 must be connected in reverse order to input 0 to 7 of the 74LS148.