

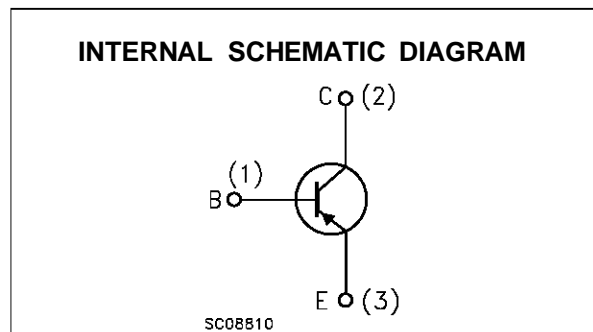
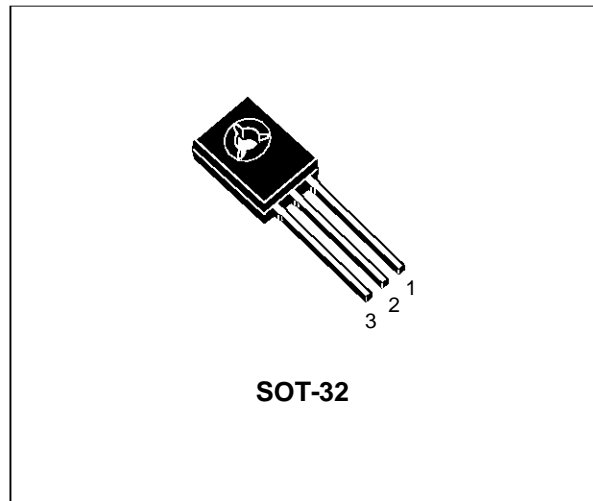
## PNP SILICON TRANSISTORS

- SGS-THOMSON PREFERRED SALESTYPES
- PNP TRANSISTOR

### DESCRIPTION

The BD136, BD138 and BD140 are silicon epitaxial planar PNP transistors in Jedec SOT-32 plastic package, designed for audio amplifiers and drivers utilizing complementary or quasi complementary circuits.

The complementary NPN types are the BD135, BD137 and BD139.



### ABSOLUTE MAXIMUM RATINGS

| Symbol    | Parameter  | Value      |       |       | Unit             |
|-----------|--|------------|-------|-------|------------------|
|           |  | BD136      | BD138 | BD140 |                  |
| $V_{CBO}$ | Collector-Base Voltage ( $I_E = 0$ )                 | -45        | -60   | -80   | V                |
| $V_{CEO}$ | Collector-Emitter Voltage ( $I_B = 0$ )              | -45        | -60   | -80   | V                |
| $V_{EBO}$ | Emitter-Base Voltage ( $I_C = 0$ )                   | -5         |       |       | V                |
| $I_C$     | Collector Current                                    | -1.5       |       |       | A                |
| $I_{CM}$  | Collector Peak Current                               | -3         |       |       | A                |
| $I_B$     | Base Current   | -0.5       |       |       | A                |
| $P_{tot}$ | Total Dissipation at $T_c \leq 25^\circ\text{C}$     | 12.5       |       |       | W                |
| $P_{tot}$ | Total Dissipation at $T_{amb} \leq 25^\circ\text{C}$ | 1.25       |       |       | W                |
| $T_{stg}$ | Storage Temperature                                  | -65 to 150 |       |       | $^\circ\text{C}$ |
| $T_j$     | Max. Operating Junction Temperature                  | 150        |       |       | $^\circ\text{C}$ |

# BD136/BD138/BD140

## THERMAL DATA

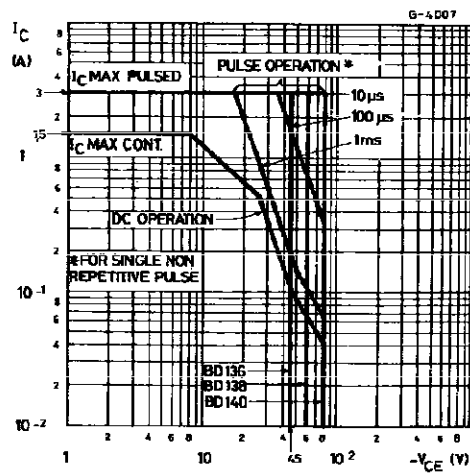
|                       |                                  |     |    |      |
|-----------------------|----------------------------------|-----|----|------|
| R <sub>thj-case</sub> | Thermal Resistance Junction-case | Max | 10 | °C/W |
|-----------------------|----------------------------------|-----|----|------|

## ELECTRICAL CHARACTERISTICS (T<sub>case</sub> = 25 °C unless otherwise specified)

| Symbol                 | Parameter                                      | Test Conditions  | Min.              | Typ. | Max.        | Unit        |
|------------------------|--|--|-------------------|------|-------------|-------------|
| I <sub>CB0</sub>       | Collector Cut-off Current (I <sub>E</sub> = 0) | V <sub>CB</sub> = -30 V<br>V <sub>CB</sub> = -30 V T <sub>C</sub> = 125 °C   |                   |      | -0.1<br>-10 | μA<br>μA    |
| I <sub>EB0</sub>       | Emitter Cut-off Current (I <sub>C</sub> = 0)   | V <sub>EB</sub> = -5 V   |                   |      | -10         | μA          |
| V <sub>CEO(sus)*</sub> | Collector-Emitter Sustaining Voltage           | I <sub>C</sub> = -30 mA<br>for <b>BD136</b><br>for <b>BD138</b><br>for <b>BD140</b>  | -45<br>-60<br>-80 |      |             | V<br>V<br>V |
| V <sub>CE(sat)*</sub>  | Collector-Emitter Saturation Voltage           | I <sub>C</sub> = -0.5 A I <sub>B</sub> = -0.05 A   |                   |      | -0.5        | V           |
| V <sub>BE*</sub>       | Base-Emitter Voltage                           | I <sub>C</sub> = -0.5 A V <sub>CE</sub> = -2 V   |                   |      | -1          | V           |
| h <sub>FE*</sub>       | DC Current Gain                                | I <sub>C</sub> = -5 mA V <sub>CE</sub> = -2 V<br>I <sub>C</sub> = -0.5 A V <sub>CE</sub> = -2 V<br>I <sub>C</sub> = -150 mA V <sub>CE</sub> = -2 V | 25<br>25<br>40    |      | 250         |             |
| h <sub>FE</sub>        | h <sub>FE</sub> Groups                         | I <sub>C</sub> = -150 mA V <sub>CE</sub> = -2 V<br>for BD140 group 10  | 63                |      | 160         |             |

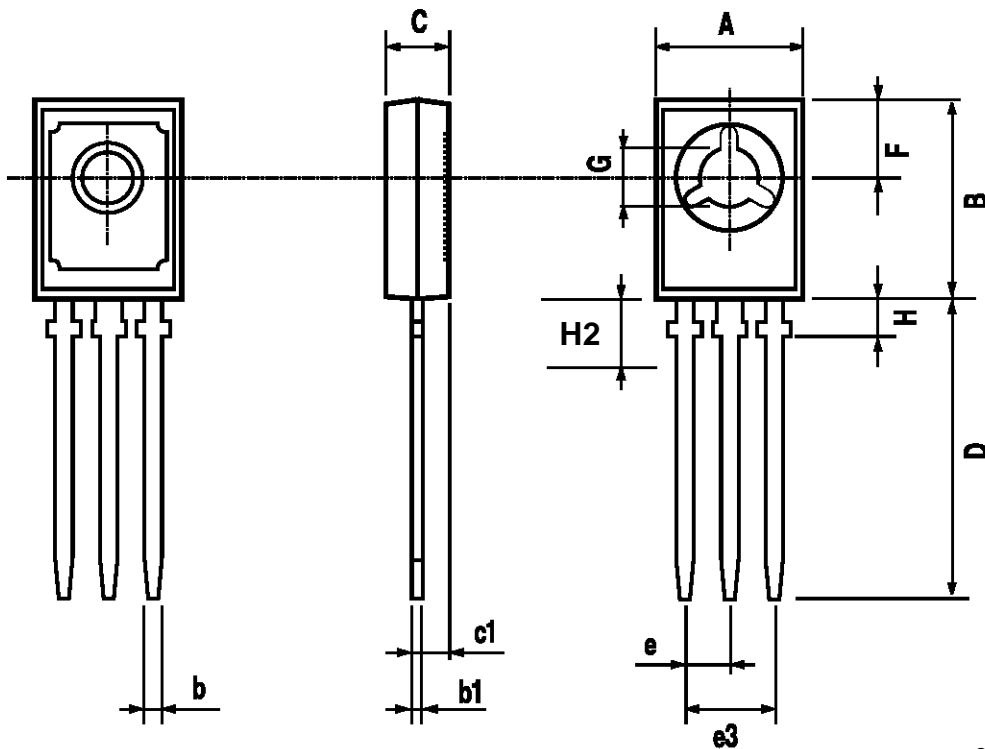
\* Pulsed: Pulse duration = 300 μs, duty cycle 1.5 %

## Safe Operating Areas



## SOT-32 (TO-126) MECHANICAL DATA

| DIM. | mm   |      |      | inch  |       |       |
|------|------|------|------|-------|-------|-------|
|      | MIN. | TYP. | MAX. | MIN.  | TYP.  | MAX.  |
| A    | 7.4  |      | 7.8  | 0.291 |       | 0.307 |
| B    | 10.5 |      | 10.8 | 0.413 |       | 0.445 |
| b    | 0.7  |      | 0.9  | 0.028 |       | 0.035 |
| b1   | 0.49 |      | 0.75 | 0.019 |       | 0.030 |
| C    | 2.4  |      | 2.7  | 0.040 |       | 0.106 |
| c1   | 1.0  |      | 1.3  | 0.039 |       | 0.050 |
| D    | 15.4 |      | 16.0 | 0.606 |       | 0.629 |
| e    |      | 2.2  |      |       | 0.087 |       |
| e3   | 4.15 |      | 4.65 | 0.163 |       | 0.183 |
| F    |      | 3.8  |      |       | 0.150 |       |
| G    | 3    |      | 3.2  | 0.118 |       | 0.126 |
| H    |      |      | 2.54 |       |       | 0.100 |
| H2   |      | 2.15 |      |       | 0.084 |       |



0016114

Information furnished is believed to be accurate and reliable. However, SGS-THOMSON Microelectronics assumes no responsibility for the consequences of use of such information nor for any infringement of patents or other rights of third parties which may result from its use. No license is granted by implication or otherwise under any patent or patent rights of SGS-THOMSON Microelectronics. Specifications mentioned in this publication are subject to change without notice. This publication supersedes and replaces all information previously supplied. SGS-THOMSON Microelectronics products are not authorized for use as critical components in life support devices or systems without express written approval of SGS-THOMSON Microelectronics.

© 1997 SGS-THOMSON Microelectronics - Printed in Italy - All Rights Reserved

SGS-THOMSON Microelectronics GROUP OF COMPANIES  
Australia - Brazil - Canada - China - France - Germany - Hong Kong - Italy - Japan - Korea - Malaysia - Malta - Morocco - The Netherlands -  
Singapore - Spain - Sweden - Switzerland - Taiwan - Thailand - United Kingdom - U.S.A  
...

This datasheet has been download from:

[www.datasheetcatalog.com](http://www.datasheetcatalog.com)

Datasheets for electronics components.