



2N6487 2N6488/2N6490

COMPLEMENTARY SILICON POWER TRANSISTORS

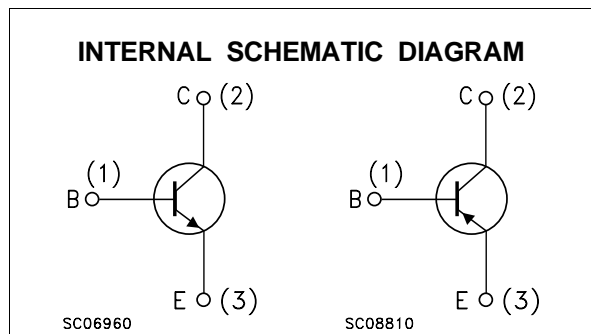
- STMicroelectronics PREFERRED SALESTYPES
- COMPLEMENTARY PNP - NPN DEVICES

DESCRIPTION

The 2N6487 and 2N6488 are silicon epitaxial-base NPN transistors in Jedec TO-220 plastic package.

They are intended for use in power linear and low frequency switching applications.

The 2N6487 complementary type is 2N6490.



ABSOLUTE MAXIMUM RATINGS

Symbol	Parameter	Value		Unit	
		NPN	2N6487		2N6488
		PNP	2N6490		
V_{CBO}	Collector-Base Voltage ($I_E = 0$)		70	90	V
V_{CEX}	Collector-Emitter Voltage ($V_{BE} = -1.5V, R_{BE} = 100\Omega$)		70	90	V
V_{CEO}	Collector-Emitter Voltage ($I_B = 0$)		60	80	V
V_{EBO}	Emitter-Base Voltage ($I_C = 0$)		5		V
I_C	Collector Current		15		A
I_B	Base Current		5		A
P_{tot}	Total Dissipation at $T_c \leq 25^\circ C$		75		W
T_{stg}	Storage Temperature		-65 to 150		$^\circ C$
T_j	Max. Operating Junction Temperature		150		$^\circ C$

For PNP types voltage and current values are negative.

2N6487 / 2N6488 / 2N6490

THERMAL DATA

R _{thj-case}	Thermal Resistance Junction-case	Max	1.67	°C/W
R _{thj-amb}	Thermal Resistance Junction-ambient	Max	70	°C/W

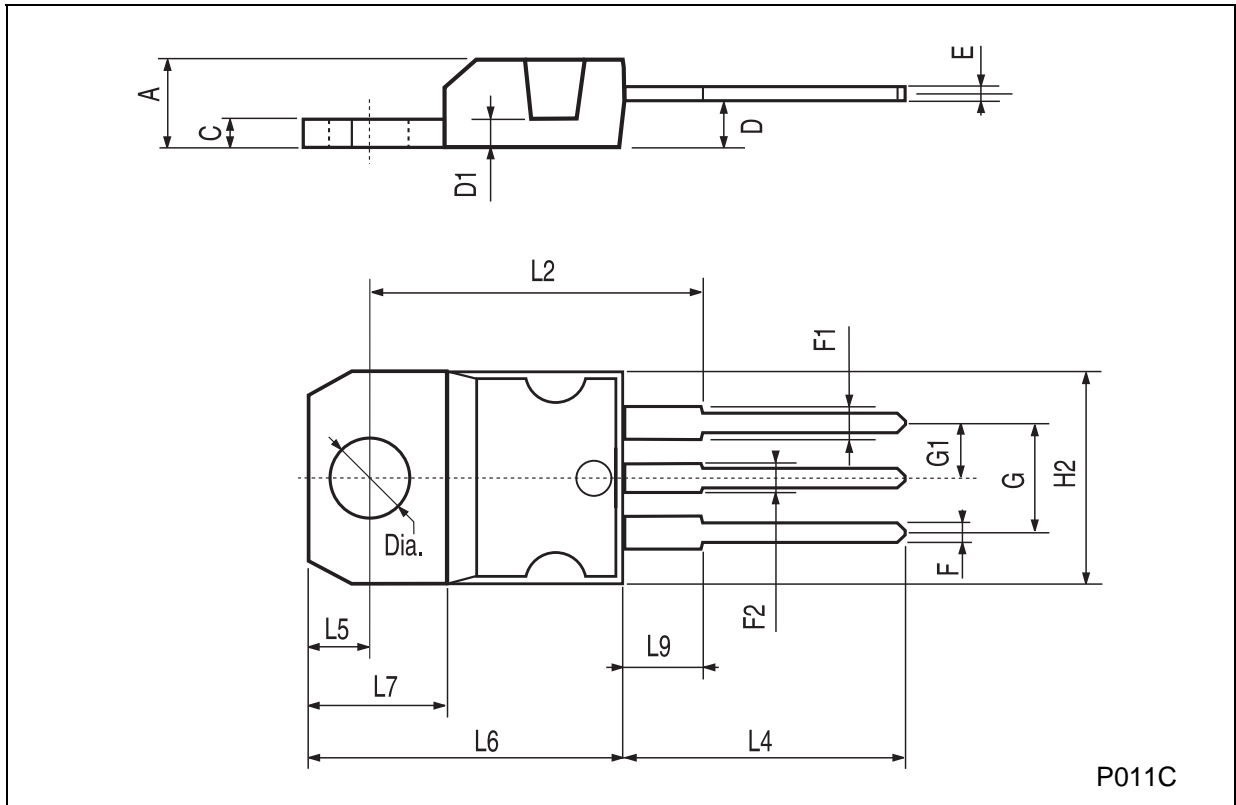
ELECTRICAL CHARACTERISTICS (T_{case} = 25 °C unless otherwise specified)

Symbol	Parameter	Test Conditions	Min.	Typ.	Max.	Unit
I _{CEX}	Collector Cut-off Current (V _{BE} = -1.5V)	for 2N6487/2N6490 V _{CE} = 65 V			0.5	mA
		for 2N6488 V _{CE} = 85 V			0.5	mA
		for 2N6487/2N6490 V _{CE} = 60 V			5	mA
		for 2N6488 V _{CE} = 80 V			5	mA
I _{CER}	Collector Cut-off Current (R _{BE} = 100Ω)	for 2N6487/2N6490 V _{CE} = 55 V			0.5	mA
		for 2N6488 V _{CE} = 75 V			0.5	mA
I _{CEO}	Collector Cut-off Current (I _B = 0)	for 2N6487/2N6490 V _{CE} = 30 V			1	mA
		for 2N6488 V _{CE} = 40 V			1	mA
I _{EBO}	Emitter Cut-off Current (I _C = 0)	V _{EB} = 5 V			1	mA
V _{CEO(sus)*}	Collector-Emitter Sustaining Voltage	I _C = 200 mA	60			V
		for 2N6487/2N6490 for 2N6488	80			V
V _{CER(sus)*}	Collector-Emitter Sustaining Voltage (R _{BE} = 100Ω)	I _C = 200 mA	65			V
		for 2N6487/2N6490 for 2N6488	85			V
V _{CEX(sus)*}	Collector-Emitter Sustaining Voltage (V _{BE} = -1.5V, R _{BE} = 100Ω)	I _C = 200 mA	70			V
		for 2N6487/2N6490 for 2N6488	90			V
V _{CE(sat)*}	Collector-Emitter Saturation Voltage	I _C = 5 A I _B = 0.5 A			1.3	V
		I _C = 15 A I _B = 5 A			3.5	V
V _{BE*}	Base-Emitter Voltage	I _C = 5 A V _{CE} = 4 V			1.3	V
		I _C = 15 A V _{CE} = 4 V			3.5	V
h _{FE*}	DC Current Gain	I _C = 5 A V _{CE} = 4 V	20		150	
		I _C = 15 A V _{CE} = 4 V	5			
h _{fe}	Small Signal Current Gain	I _C = 1 A V _{CE} = 4 V f = 1MHz	5			
		I _C = 1 A V _{CE} = 4 V f = 1KHz	25			

* Pulsed: Pulse duration = 300 μs, duty cycle 1.5 %
For PNP types voltage and current values are negative.

TO-220 MECHANICAL DATA

DIM.	mm			inch		
	MIN.	TYP.	MAX.	MIN.	TYP.	MAX.
A	4.40		4.60	0.173		0.181
C	1.23		1.32	0.048		0.051
D	2.40		2.72	0.094		0.107
D1		1.27			0.050	
E	0.49		0.70	0.019		0.027
F	0.61		0.88	0.024		0.034
F1	1.14		1.70	0.044		0.067
F2	1.14		1.70	0.044		0.067
G	4.95		5.15	0.194		0.203
G1	2.4		2.7	0.094		0.106
H2	10.0		10.40	0.393		0.409
L2		16.4			0.645	
L4	13.0		14.0	0.511		0.551
L5	2.65		2.95	0.104		0.116
L6	15.25		15.75	0.600		0.620
L7	6.2		6.6	0.244		0.260
L9	3.5		3.93	0.137		0.154
DIA.	3.75		3.85	0.147		0.151



P011C

Information furnished is believed to be accurate and reliable. However, STMicroelectronics assumes no responsibility for the consequences of use of such information nor for any infringement of patents or other rights of third parties which may result from its use. No license is granted by implication or otherwise under any patent or patent rights of STMicroelectronics. Specification mentioned in this publication are subject to change without notice. This publication supersedes and replaces all information previously supplied. STMicroelectronics products are not authorized for use as critical components in life support devices or systems without express written approval of STMicroelectronics.

The ST logo is a trademark of STMicroelectronics

© 1999 STMicroelectronics – Printed in Italy – All Rights Reserved

STMicroelectronics GROUP OF COMPANIES

Australia - Brazil - Canada - China - France - Germany - Italy - Japan - Korea - Malaysia - Malta - Mexico - Morocco - The Netherlands - Singapore - Spain - Sweden - Switzerland - Taiwan - Thailand - United Kingdom - U.S.A.

<http://www.st.com>

This datasheet has been download from:

www.datasheetcatalog.com

Datasheets for electronics components.