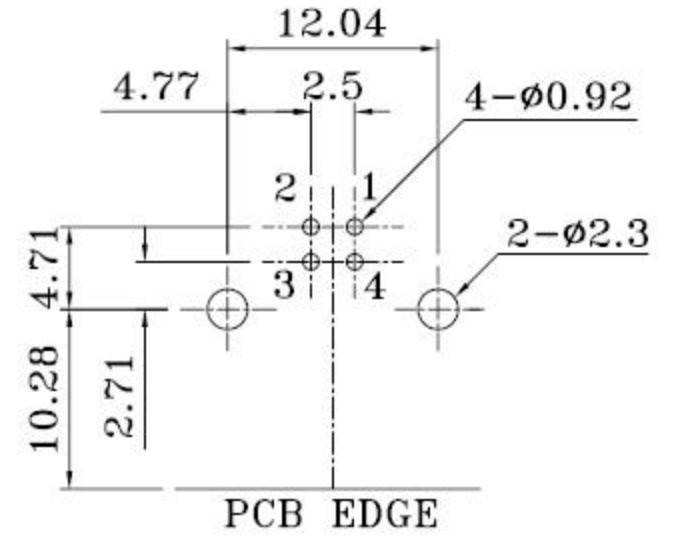
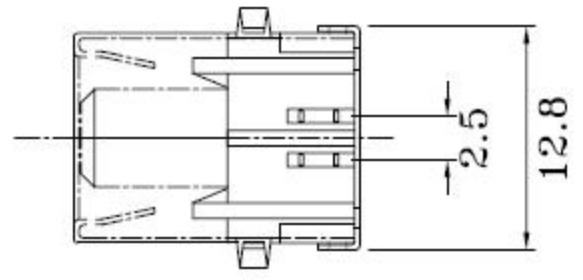
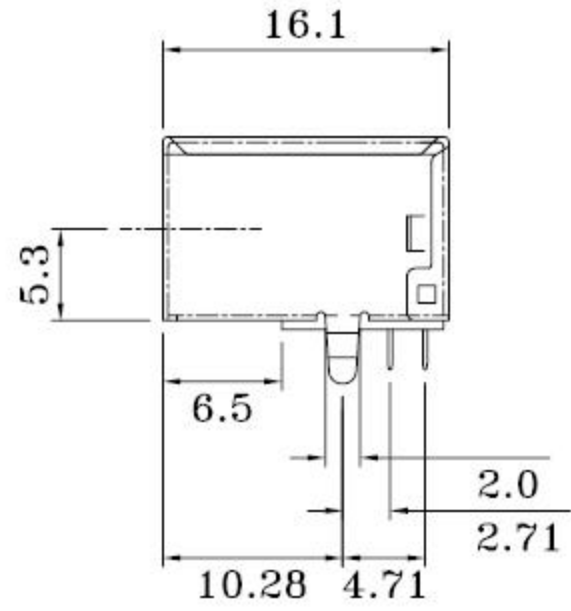
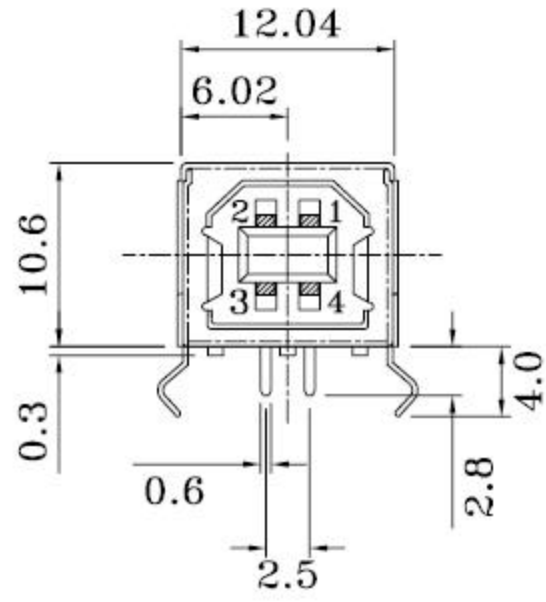


DESCRIPTION CONTROL			
REV	DESC	DATE	ECN NO



PCB EDGE
(COMPONENT SIDE)
PCB LAYOUT

NO.	NAME	MATERIAL	FINISH	REMARK	Q'TY
1	HOUSING	P.B.T. G.F.	WHITE		1
2	PIN TERM.	PHOS. BRONZE T:0.25	GOLD/TIN PLATED	NI:1~1.5u ; TIN:3u. GOLD:30 u"	4
3	SHELL	BRASS T:0.3	NICKEL PLATED	NI:2~3u	1

RoHS COMPLIANT

	ITEM: 186-0420132	REV: R
	DRAWN BY:	SCALE: NONE
CHECKED BY:	CUSTOMER:	PAGE: 1/1
APPROVED BY:	CUSTOMER P/N:	
ALL DIMENSIONS IN mm (UNLESS OTHERWISE SPECIFIED)		