

# TOSHIBA MOS MEMORY PRODUCTS

THM91010AS-70, 80, 10

## DESCRIPTION

The THM91010AS is a 1,048,576 words by 9 bits dynamic RAM module which assembled 9 pcs of TC511000AJ on the printed circuit board.

The THM91010AS is optimized for application to the systems which are required high density and large capacity such as main memory of the computers and an image memory systems, and to the others which are requested compact size.

## FEATURES

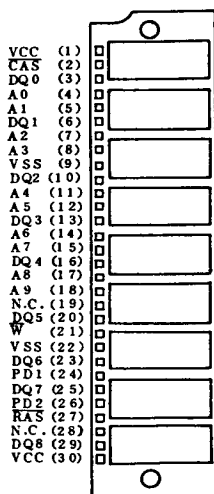
- 1,048,576 words by 9 bits organization
- Fast access time

	THM91010AS-70	THM91010AS-80	THM91010AS-10
$t_{RAC}$ $\overline{RAS}$ Access Time	70ns	80ns	100ns
$t_{AA}$ Column Address Access Time	35ns	40ns	50ns
$t_{CAC}$ $\overline{CAS}$ Access Time	20ns	20ns	25ns
$t_{RC}$ Cycle Time	130ns	150ns	180ns
$t_{PC}$ Fast Page Mode Cycle Time	40ns	45ns	55ns

- Single power supply of 5V±10%
- Low power
  - 3960mW MAX. Operating (THM91010AS-70)
  - 3465mW MAX. Operating (THM91010AS-80)
  - 2970mW MAX. Operating (THM91010AS-10)
  - 49.5mW MAX. Standby
- $\overline{CAS}$  before  $\overline{RAS}$  refresh,  $\overline{RAS}$  only refresh, Hidden refresh, and Fast Page Mode capability.
- All inputs and outputs TTL compatible
- 512 refresh cycles/8ms

## PIN CONNECTION

(TOP VIEW)

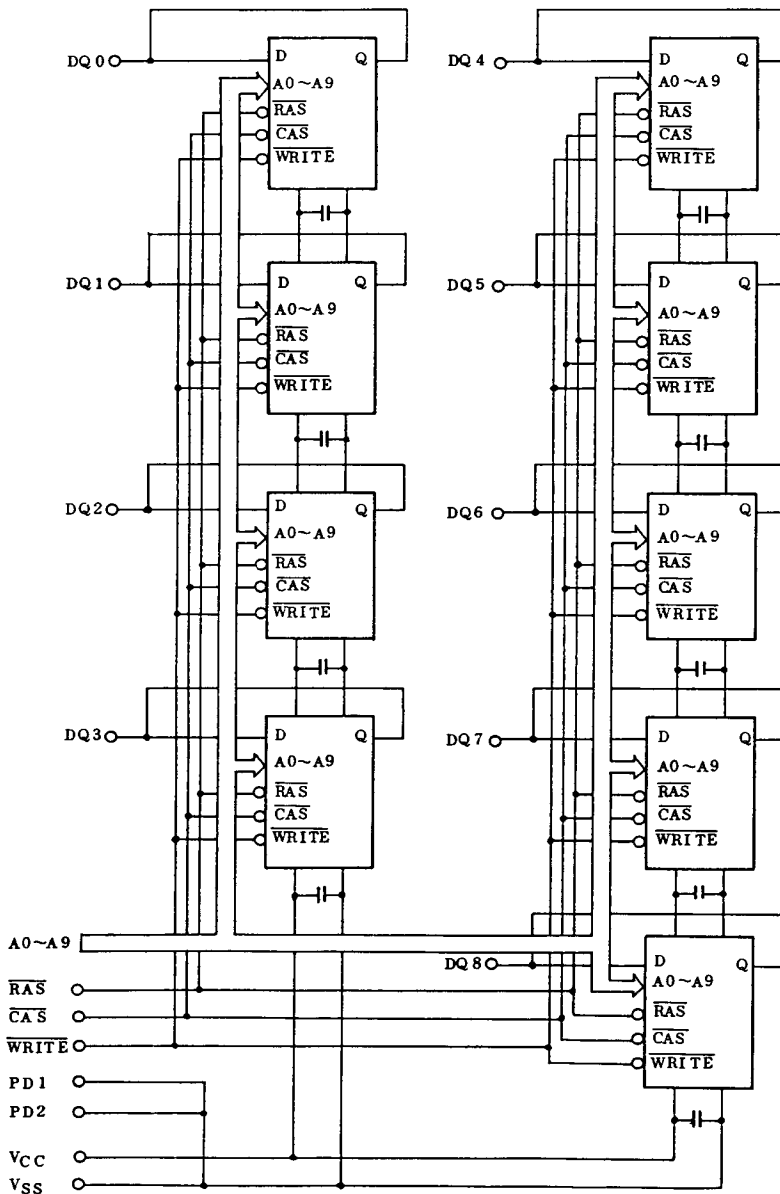


## PIN NAMES

A0 ~ A9	Address Inputs
DQ0 ~ DQ8	Data Input/Outputs
$\overline{CAS}$	Column Address Strobe
$\overline{RAS}$	Row Address Strobe
$\overline{W}$	Read/Write Input
PD1, 2	Presence Detect (Ground)
VCC	Power (+5V)
VSS	Ground
N.C.	No Connection

# THM91010AS-70, 80, 10

## BLOCK DIAGRAM



# THM91010AS-70, 80, 10

## ABSOLUTE MAXIMUM RATINGS

ITEM	SYMBOL	RATING	UNITS	NOTES
Input Voltage	V <sub>IN</sub>	-1.0 ~ 7.0	V	1
Output Voltage	V <sub>OUT</sub>	-1.0 ~ 7.0	V	1
Power Supply Voltage	V <sub>CC</sub>	-1.0 ~ 7.0	V	1
Operating Temperature	T <sub>OPR</sub>	0 ~ 70	°C	1
Storage Temperature	T <sub>STG</sub>	-55 ~ 125	°C	
Soldering Temperature . Time	T <sub>SOLDER</sub>	260 . 10	°C . sec	1
Power Dissipation	P <sub>D</sub>	5.4	W	1
Short Circuit Output Current	I <sub>OUT</sub>	50	mA	1

## RECOMMENDED DC OPERATING CONDITIONS (Ta=0 ~ 70°C)

SYMBOL	PARAMETER	MIN.	TYP.	MAX.	UNIT	NOTES
V <sub>CC</sub>	Supply Voltage	4.5	5.0	5.5	V	2
V <sub>IH</sub>	Input High Voltage	2.4		6.5	V	2
V <sub>IL</sub>	Input Low Voltage	-1.0		0.8	V	2

## DC ELECTRICAL CHARACTERISTICS (V<sub>CC</sub>=5V±10%, Ta=0 ~ 70°C)

SYMBOL	PARAMETER	MIN.	MAX.	UNITS	NOTES	
I <sub>CC1</sub>	OPERATING CURRENT Average Power Supply Operating Current ( $\overline{RAS}$ , $\overline{CAS}$ , Address Cycling: $t_{RC}=t_{RC}$ MIN.)	THM91010AS-70	-	720	mA	3, 4
		THM91010AS-80	-	630		
		THM91010AS-10	-	540		
I <sub>CC2</sub>	STANDBY CURRENT Power Supply Standby Current ( $\overline{RAS}=\overline{CAS}=V_{IH}$ )		-	18	mA	
I <sub>CC3</sub>	RAS ONLY REFRESH CURRENT Average Power Supply Current, $\overline{RAS}$ Only Mode ( $\overline{RAS}$ Cycling, $\overline{CAS}=V_{IH}$ : $t_{RC}=t_{RC}$ MIN.)	THM91010AS-70	-	720	mA	3
		THM91010AS-80	-	630		
		THM91010AS-10	-	540		
I <sub>CC4</sub>	FAST PAGE MODE CURRENT Average Power Supply Current, Fast Page Mode ( $\overline{RAS}=V_{IL}$ , $\overline{CAS}$ Address Cycling: $t_{PC}=t_{PC}$ MIN.)	THM91010AS-70	-	540	mA	3, 4
		THM91010AS-80	-	450		
		THM91010AS-10	-	360		
I <sub>CC3</sub>	STANDBY CURRENT Power Supply Standby Current ( $\overline{RAS}=\overline{CAS}=V_{CC}-0.2V$ )		-	9	mA	
I <sub>CC6</sub>	CAS BEFORE RAS REFRESH CURRENT Average Power Supply Current, $\overline{CAS}$ Before $\overline{RAS}$ Mode ( $\overline{RAS}$ , $\overline{CAS}$ Cycling: $t_{RC}=t_{RC}$ MIN.)	THM91010AS-70	-	720	mA	3
		THM91010AS-80	-	630		
		THM91010AS-10	-	540		
I <sub>I(L)</sub>	INPUT LEAKAGE CURRENT Input Leakage Current, any Input ( $0V \leq V_{IN} \leq 6.5V$ , All Other Pins not under Test=0V)		-90	90	μA	
I <sub>O(L)</sub>	OUTPUT LEAKAGE CURRENT (DOUT is disabled, $0V \leq V_{OUT} \leq 5.5V$ )		-20	20	μA	
V <sub>OH</sub>	OUTPUT LEVEL Output "H" Level Voltage (I <sub>OUT</sub> =-5mA)		2.4	-	V	
V <sub>OL</sub>	OUTPUT LEVEL Output "L" Level Voltage (I <sub>OUT</sub> =4.2mA)		-	0.4	V	

# THM91010AS-70, 80, 10

## ELECTRICAL CHARACTERISTICS AND RECOMMENDED AC OPERATING CONDITIONS

( $V_{CC}=5V\pm 10\%$ ,  $T_a=0\sim 70^\circ C$ ) (Notes 5, 6, 7)

SYMBOL	PARAMETER	THM91010AS-70		THM91010AS-80		THM91010AS-10		UNIT	NOTES
		MIN.	MAX.	MIN.	MAX.	MIN.	MAX.		
$t_{RC}$	Random Read or Write Cycle Time	130	-	150	-	180	-	ns	
$t_{PC}$	Fast Page Mode Cycle Time	40	-	45	-	55	-	ns	
$t_{RAC}$	Access Time from $\overline{RAS}$	-	70	-	80	-	100	ns	8,13
$t_{CAC}$	Access Time from $\overline{CAS}$	-	20	-	20	-	25	ns	8,13
$t_{AA}$	Access Time from Column Address	-	35	-	40	-	50	ns	8,14
$t_{CPA}$	Access Time from $\overline{CAS}$ Pre-charge	-	35	-	40	-	50	ns	8
$t_{CLZ}$	$\overline{CAS}$ to Output in Low-Z	0	-	0	-	0	-	ns	8
$t_{OFF}$	Output Buffer Turn-off Delay	0	20	0	20	0	20	ns	9
$t_T$	Transition Time (Rise and Fall)	3	50	3	50	3	50	ns	7
$t_{RP}$	$\overline{RAS}$ Precharge Time	50	-	60	-	70	-	ns	
$t_{RAS}$	$\overline{RAS}$ Pulse Width	70	10,000	80	10,000	100	10,000	ns	
$t_{RASP}$	$\overline{RAS}$ Pulse Width (Fast Page Mode)	70	100,000	80	100,000	100	100,000	ns	
$t_{RSH}$	$\overline{RAS}$ Hold Time	20	-	20	-	25	-	ns	
$t_{CSH}$	$\overline{CAS}$ Hold Time	70	-	80	-	100	-	ns	
$t_{CAS}$	$\overline{CAS}$ Pulse Width	20	10,000	20	10,000	25	10,000	ns	
$t_{RCD}$	$\overline{RAS}$ to $\overline{CAS}$ Delay Time	20	50	20	60	25	75	ns	13
$t_{RAD}$	$\overline{RAS}$ to Column Address Delay Time	15	35	15	40	20	50	ns	14
$t_{CRP}$	$\overline{CAS}$ to $\overline{RAS}$ Precharge Time	5	-	5	-	5	-	ns	
$t_{CP}$	$\overline{CAS}$ Precharge Time (Fast Page Mode)	10	-	10	-	10	-	ns	
$t_{ASR}$	Row Address Set-Up Time	0	-	0	-	0	-	ns	
$t_{RAH}$	Row Address Hold Time	10	-	10	-	15	-	ns	
$t_{ASC}$	Column Address Set-Up Time	0	-	0	-	0	-	ns	
$t_{CAH}$	Column Address Hold Time	15	-	15	-	20	-	ns	
$t_{AR}$	Column Address Hold Time referenced to $\overline{RAS}$	55	-	60	-	75	-	ns	
$t_{RAL}$	Column Address to $\overline{RAS}$ Lead Time	35	-	40	-	50	-	ns	
$t_{RCS}$	Read Command Set-Up Time	0	-	0	-	0	-	ns	

# THM91010AS-70, 80, 10

## ELECTRICAL CHARACTERISTICS AND RECOMMENDED AC OPERATING CONDITIONS (Continued)

SYMBOL	PARAMETER	THM91010AS-70		THM91010AS-80		THM91010AS-10		UNITS	NOTES
		MIN.	MAX.	MIN.	MAX.	MIN.	MAX.		
t <sub>RCH</sub>	Read Command Hold Time	0	-	0	-	0	-	ns	10
t <sub>RRH</sub>	Read Command Hold Time referenced to $\overline{\text{RAS}}$	0	-	0	-	0	-	ns	10
t <sub>WCH</sub>	Write Command Hold Time	15	-	15	-	20	-	ns	
t <sub>WCR</sub>	Write Command Hold Time referenced to $\overline{\text{RAS}}$	55	-	60	-	75	-	ns	
t <sub>WP</sub>	Write Command Pulse Width	15	-	15	-	20	-	ns	
t <sub>RWL</sub>	Write Command to $\overline{\text{RAS}}$ Lead Time	20	-	20	-	25	-	ns	
t <sub>CWL</sub>	Write Command to $\overline{\text{CAS}}$ Lead Time	20	-	20	-	25	-	ns	
t <sub>DS</sub>	Data Set-Up Time	0	-	0	-	0	-	ns	11
t <sub>DH</sub>	Data Hold Time	15	-	15	-	20	-	ns	11
t <sub>DHR</sub>	Data Hold Time referenced to $\overline{\text{RAS}}$	55	-	60	-	75	-	ns	
t <sub>REF</sub>	Refresh Period	-	8	-	8	-	8	ms	
t <sub>WCS</sub>	Write Command Set-Up Time	0	-	0	-	0	-	ns	12
t <sub>CSR</sub>	$\overline{\text{CAS}}$ Set-Up Time ( $\overline{\text{CAS}}$ before $\overline{\text{RAS}}$ Cycle)	10	-	10	-	10	-	ns	
t <sub>CHR</sub>	$\overline{\text{CAS}}$ Hold Time ( $\overline{\text{CAS}}$ before $\overline{\text{RAS}}$ Cycle)	30	-	30	-	30	-	ns	
t <sub>RPC</sub>	$\overline{\text{RAS}}$ to $\overline{\text{CAS}}$ Precharge Time	0	-	0	-	0	-	ns	
t <sub>CPT</sub>	$\overline{\text{CAS}}$ Precharge Time ( $\overline{\text{CAS}}$ before $\overline{\text{RAS}}$ Counter Test Cycle)	40	-	40	-	50	-	ns	
t <sub>CPN</sub>	$\overline{\text{CAS}}$ Precharge Time	10	-	10	-	15	-	ns	

### CAPACITANCE ( $V_{CC}=5V\pm 10\%$ , $f=1\text{MHz}$ , $T_a=0\sim 70^\circ\text{C}$ )

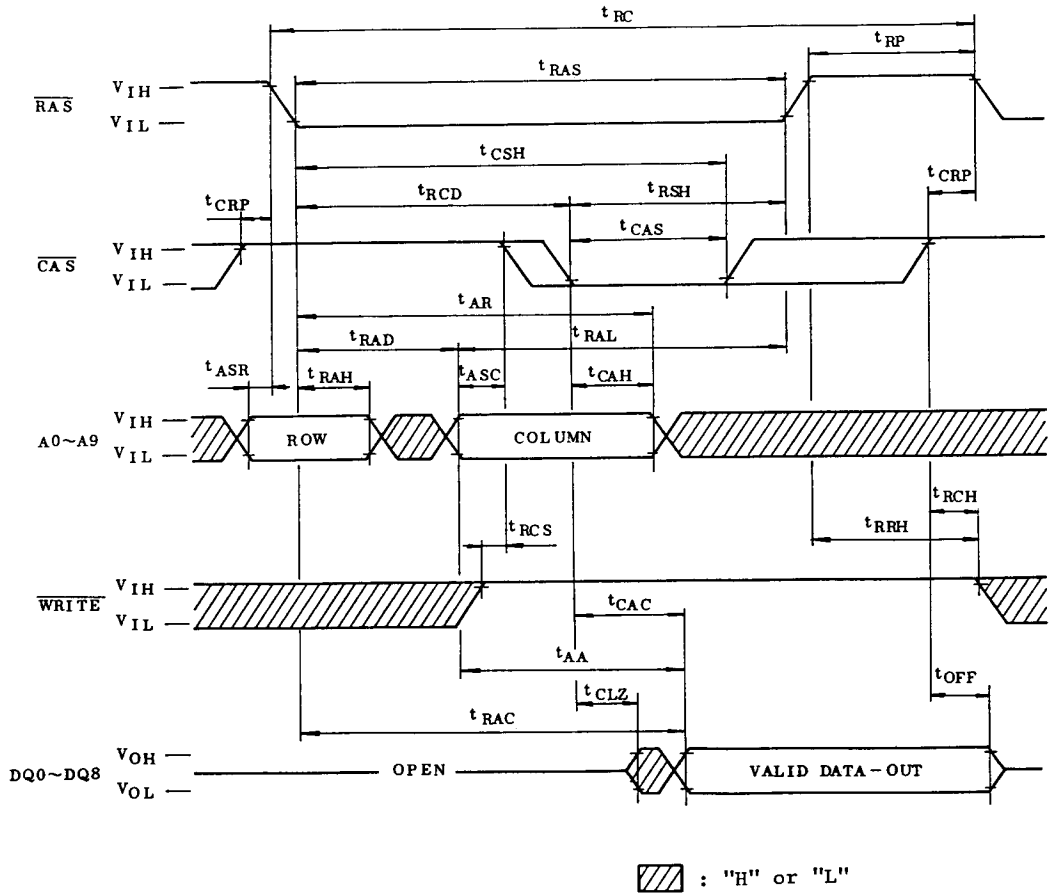
SYMBOL	PARAMETER	MIN.	MAX.	UNIT
C <sub>I1</sub>	Input Capacitance (A0 ~ A9, $\overline{\text{W}}$ , $\overline{\text{CAS}}$ , $\overline{\text{RAS}}$ )	-	60	pF
C <sub>DQ</sub>	I/O Capacitance (DQ0 ~ DQ8)	-	15	pF

# THM91010AS-70, 80, 10

## NOTES:

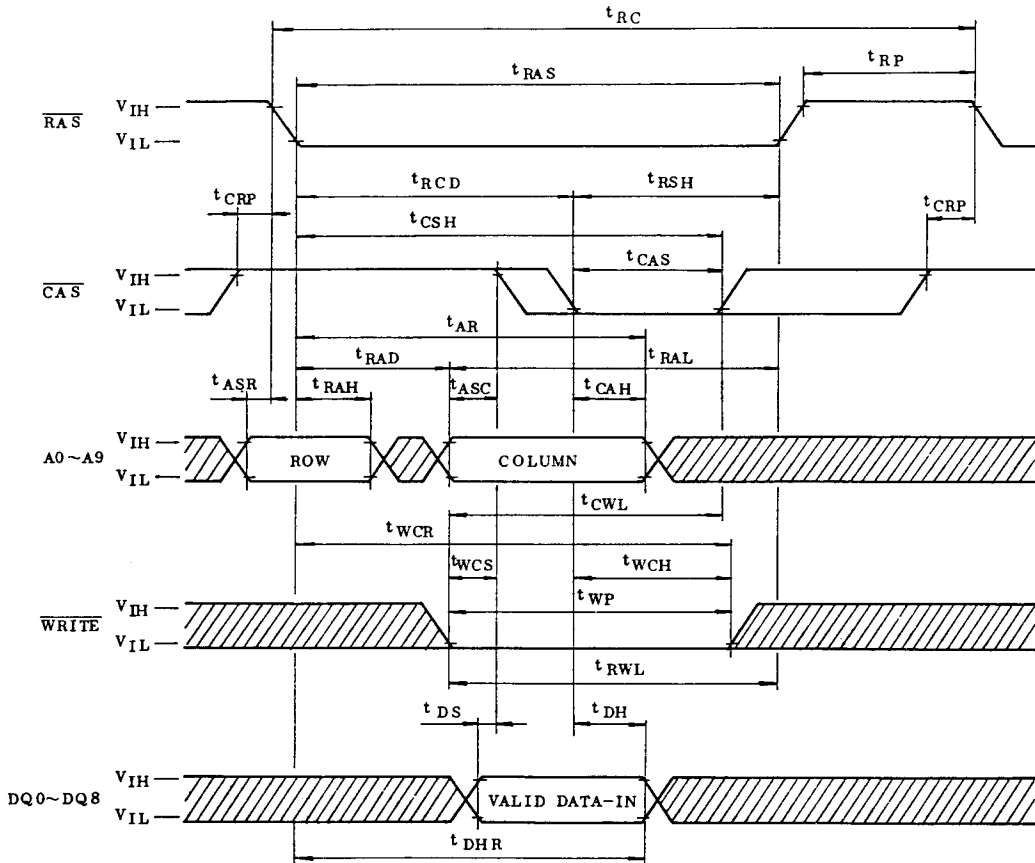
1. Stresses greater than those listed under "Absolute Maximum Ratings" may cause permanent damage to the device.
2. All voltages are referenced to  $V_{SS}$ .
3.  $I_{CC1}$ ,  $I_{CC3}$ ,  $I_{CC4}$ ,  $I_{CC6}$  depend on cycle rate.
4.  $I_{CC1}$ ,  $I_{CC4}$  depend on output loading. Specified values are obtained with the output open.
5. An initial pause of 200 $\mu$ s is required after power-up followed by 8  $\overline{RAS}$  cycles before proper device operation is achieved. In case of using internal refresh counter, a minimum of 8 CAS before  $\overline{RAS}$  initialization cycles instead of 8  $\overline{RAS}$  cycles are required.
6. AC measurements assume  $t_T=5$ ns.
7.  $V_{IH}$ (min.) and  $V_{IL}$ (max.) are reference levels for measuring timing of input signals. Also, transition times are measured between  $V_{IH}$  and  $V_{IL}$ .
8. Measured with a load equivalent to 2 TTL loads and 100pF.
9.  $t_{OFF}$ (max.) defines the time at which the output achieves the open circuit condition and is not referenced to output voltage levels.
10. Either  $t_{RCH}$  or  $t_{RRH}$  must be satisfied for a read cycle.
11. These parameters are referenced to  $\overline{CAS}$  leading edge.
12.  $t_{WCS}$  is not restrictive operating parameters. This is included the data sheet as electrical characteristics only. If  $t_{WCS} \geq t_{WCS}(\text{min.})$ , the cycle is an early write cycle and data out pin will remain open circuit (high impedance).
13. Operation within the  $t_{RCD}(\text{max.})$  limit insures that  $t_{RAC}(\text{max.})$  can be met.  $t_{RCD}(\text{max.})$  is specified as a reference point only: If  $t_{RCD}$  is greater than the specified  $t_{RCD}(\text{max.})$  limit, then access time is controlled by  $t_{CAC}$ .
14. Operation within the  $t_{RAD}(\text{max.})$  limit insures that  $t_{RAC}(\text{max.})$  can be met.  $t_{RAD}(\text{max.})$  is specified as a reference point only: If  $t_{RAD}$  is greater than the specified  $t_{RAD}(\text{max.})$  limit, then access time is controlled by  $t_{AA}$ .

READ CYCLE



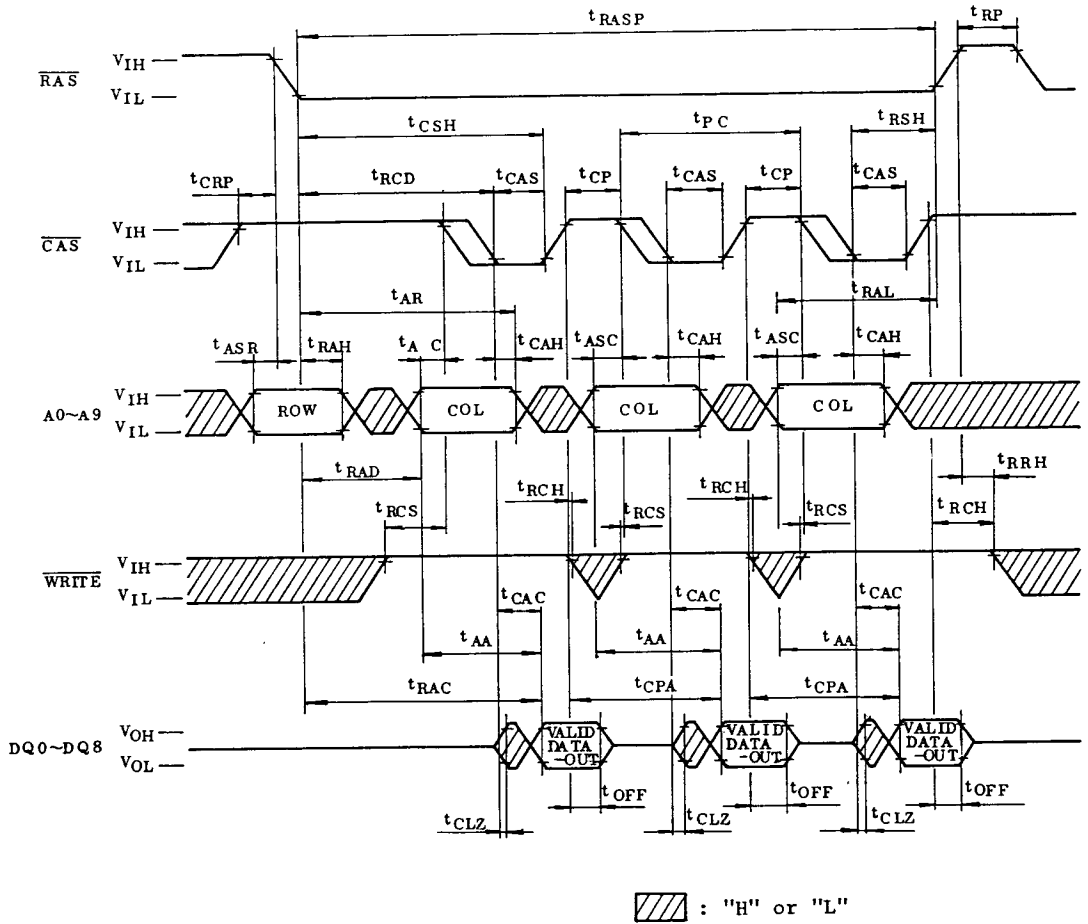
# THM91010AS-70, 80, 10

## EARLY WRITE CYCLE



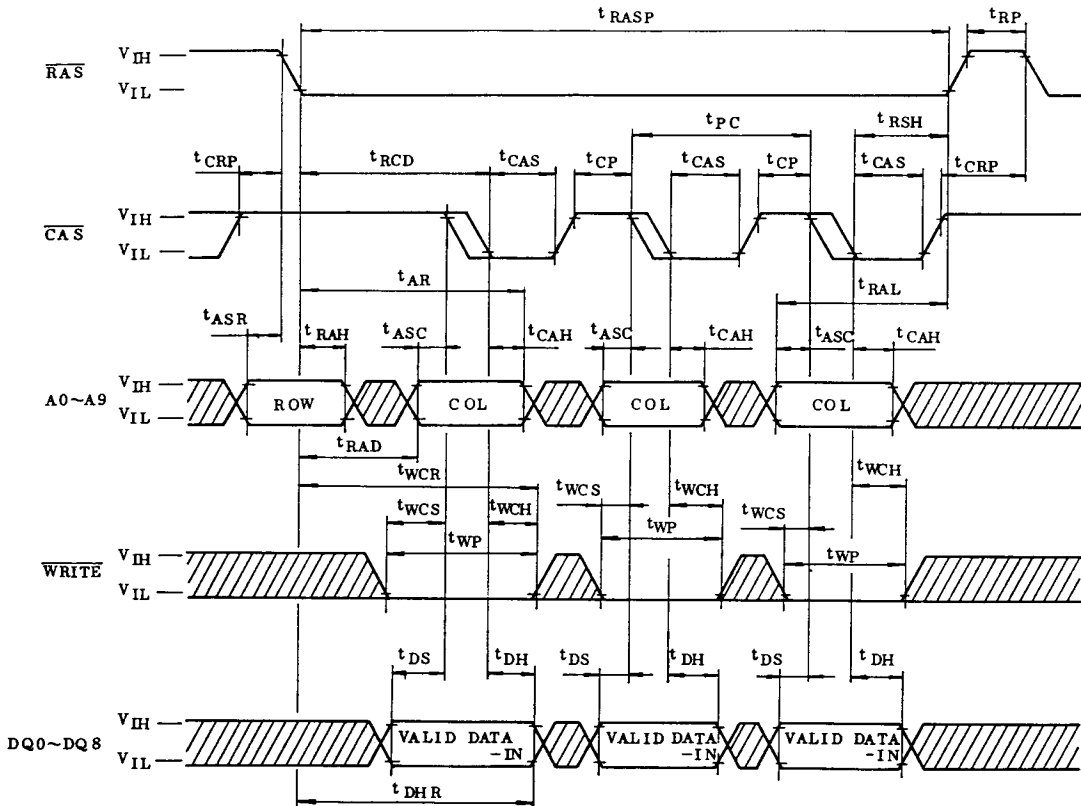


FAST PAGE MODE READ CYCLE



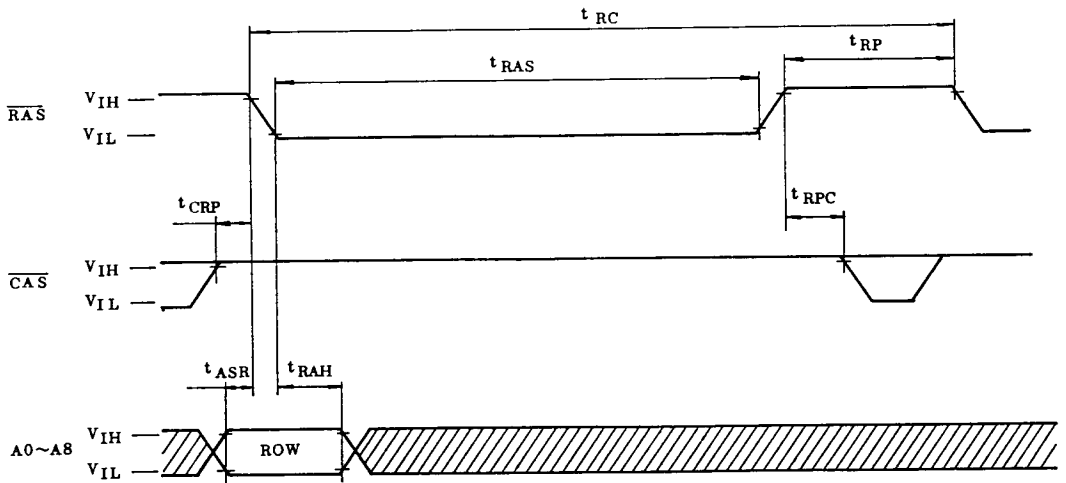
# THM91010AS-70, 80, 10


## FAST PAGE MODE WRITE CYCLE (EARLY WRITE)



▨ : "H" or "L"

RAS ONLY REFRESH CYCLE

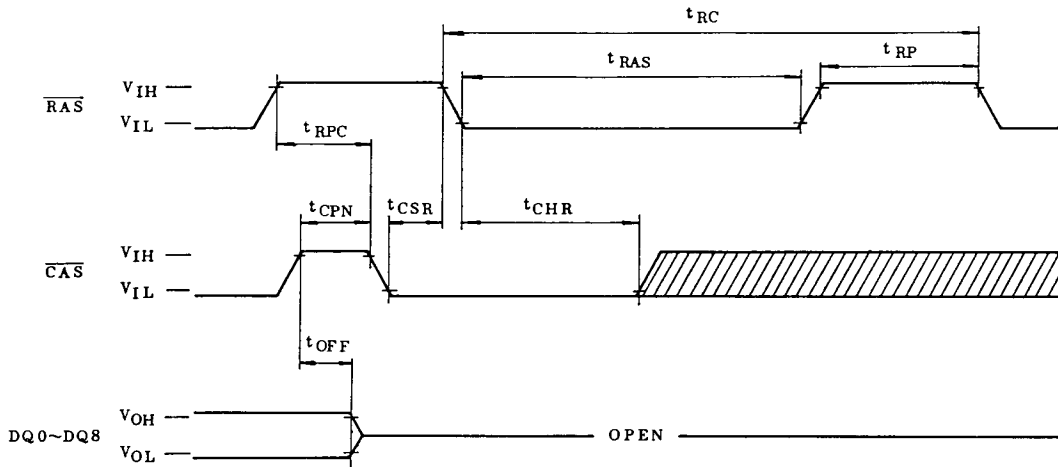



 : "H" or "L"

Note:  $\overline{\text{WRITE}} = \text{"H" or "L"}, \text{A9} = \text{"H" or "L"}$

# THM91010AS-70, 80, 10

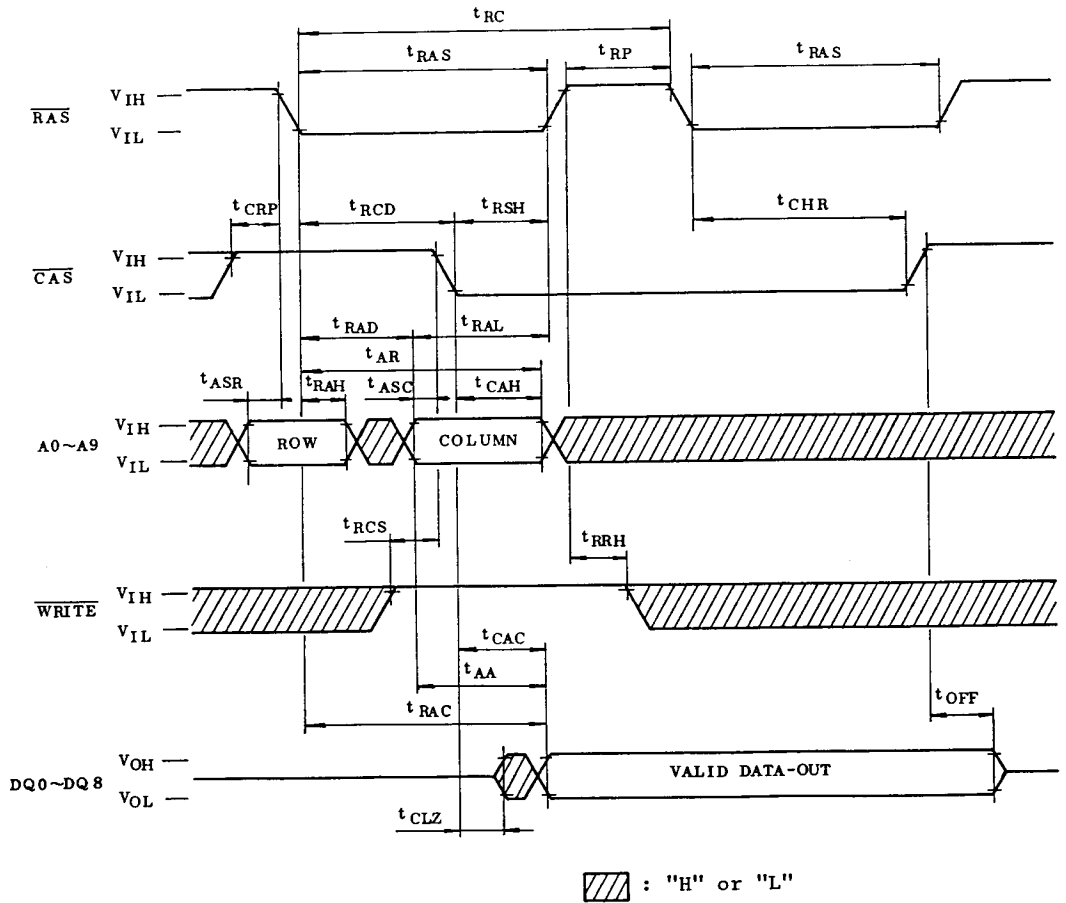
## CAS BEFORE RAS REFRESH CYCLE



 : "H" or "L"

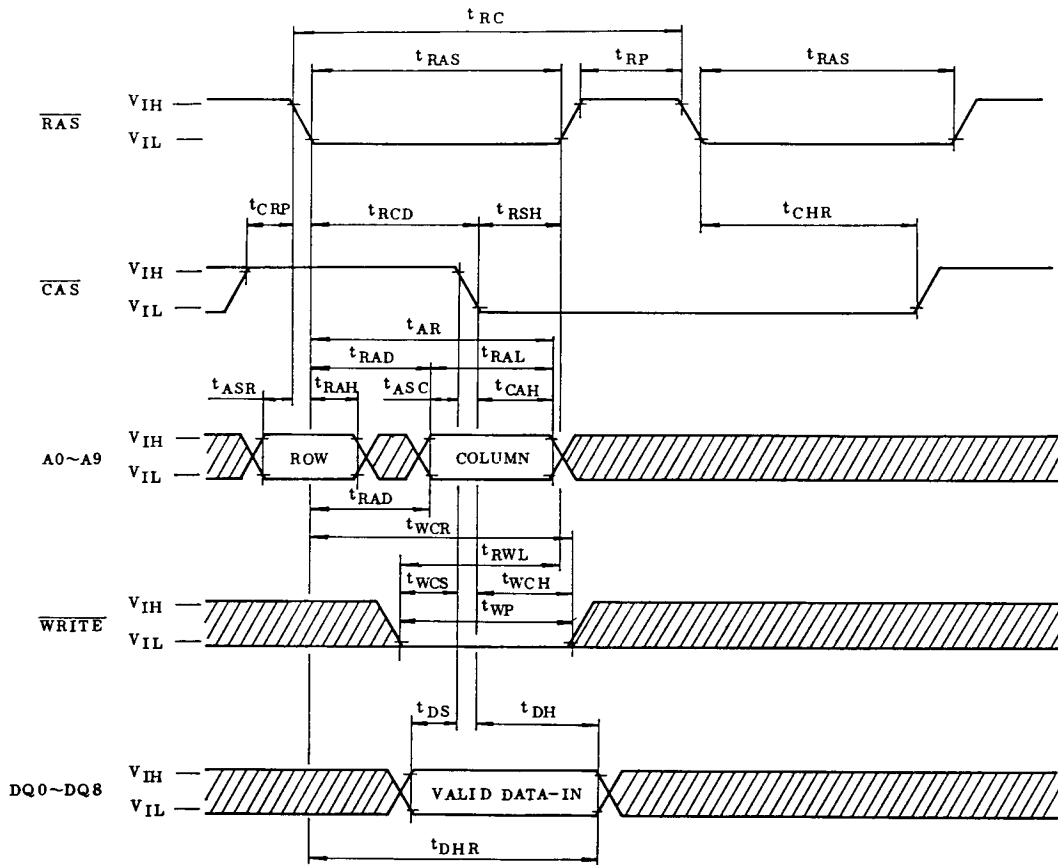
Note:  $\overline{\text{WRITE}}$ ="H" or "L", A0~A9="H" or "L"


HIDDEN REFRESH CYCLE (READ)



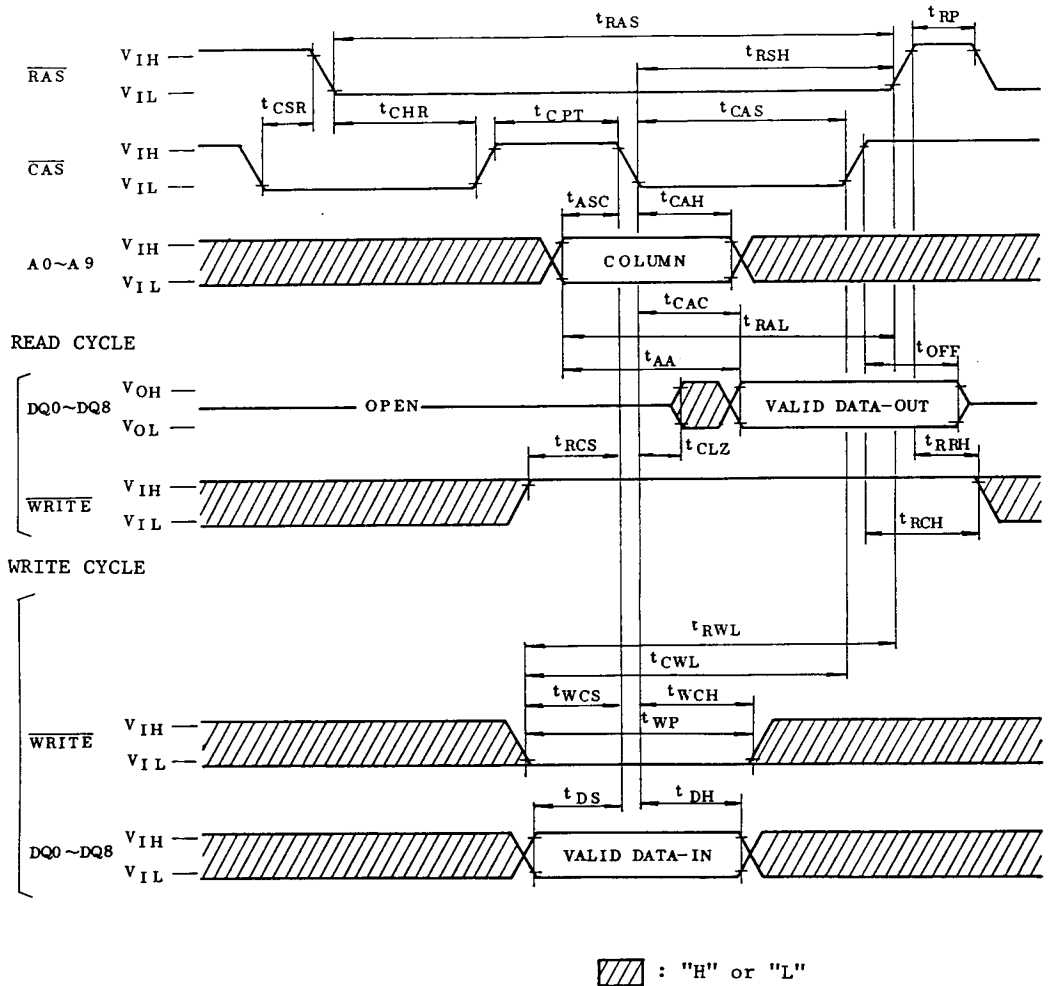
# THM91010AS-70, 80, 10

## HIDDEN REFRESH CYCLE (WRITE)



 : "H" or "L"

CAS BEFORE RAS REFRESH COUNTER TEST CYCLE



# THM91010AS-70, 80, 10

## OUTLINE DRAWINGS

- THM91010AS

Unit in mm

