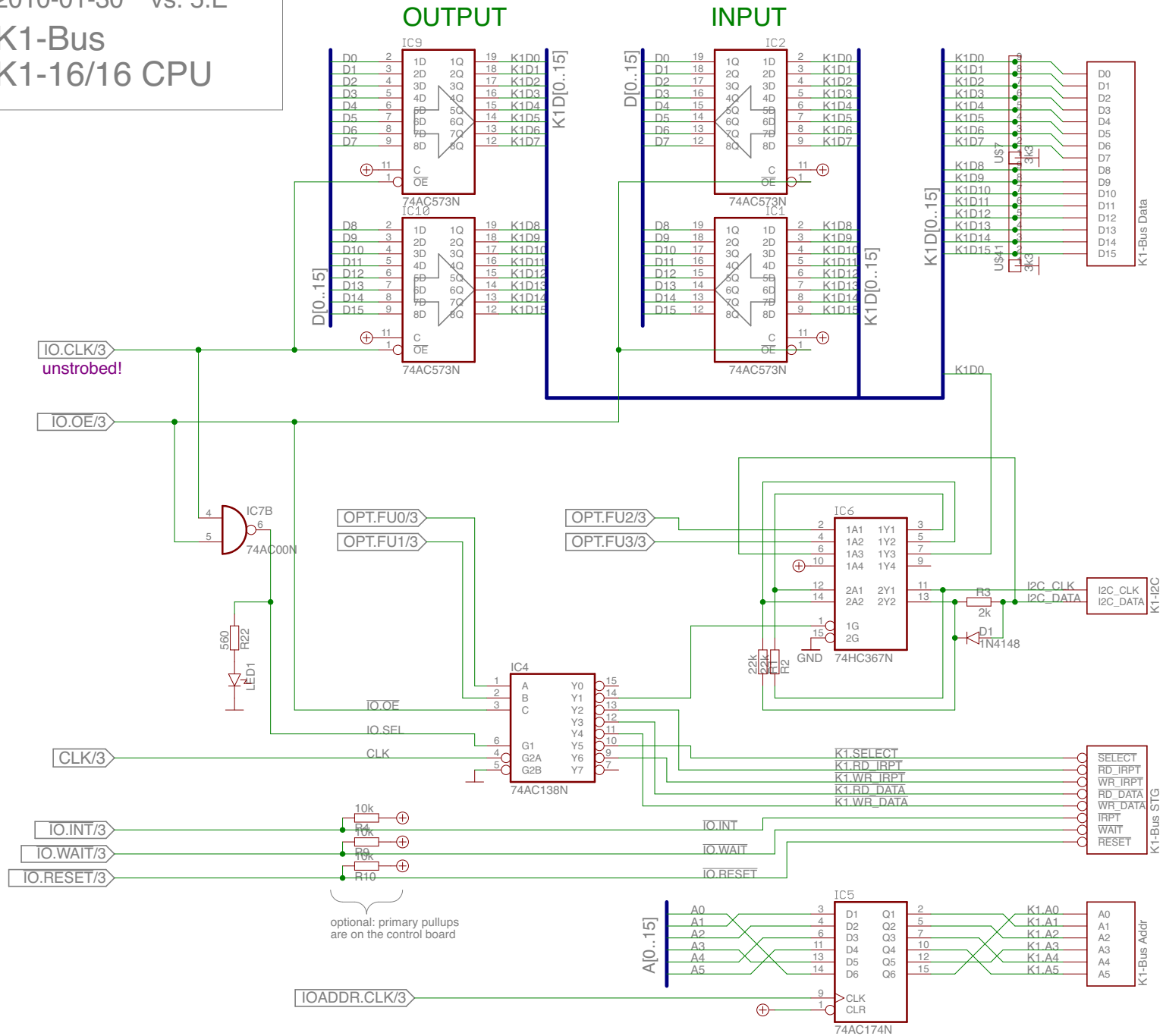


2010-01-30 vs. 5.E

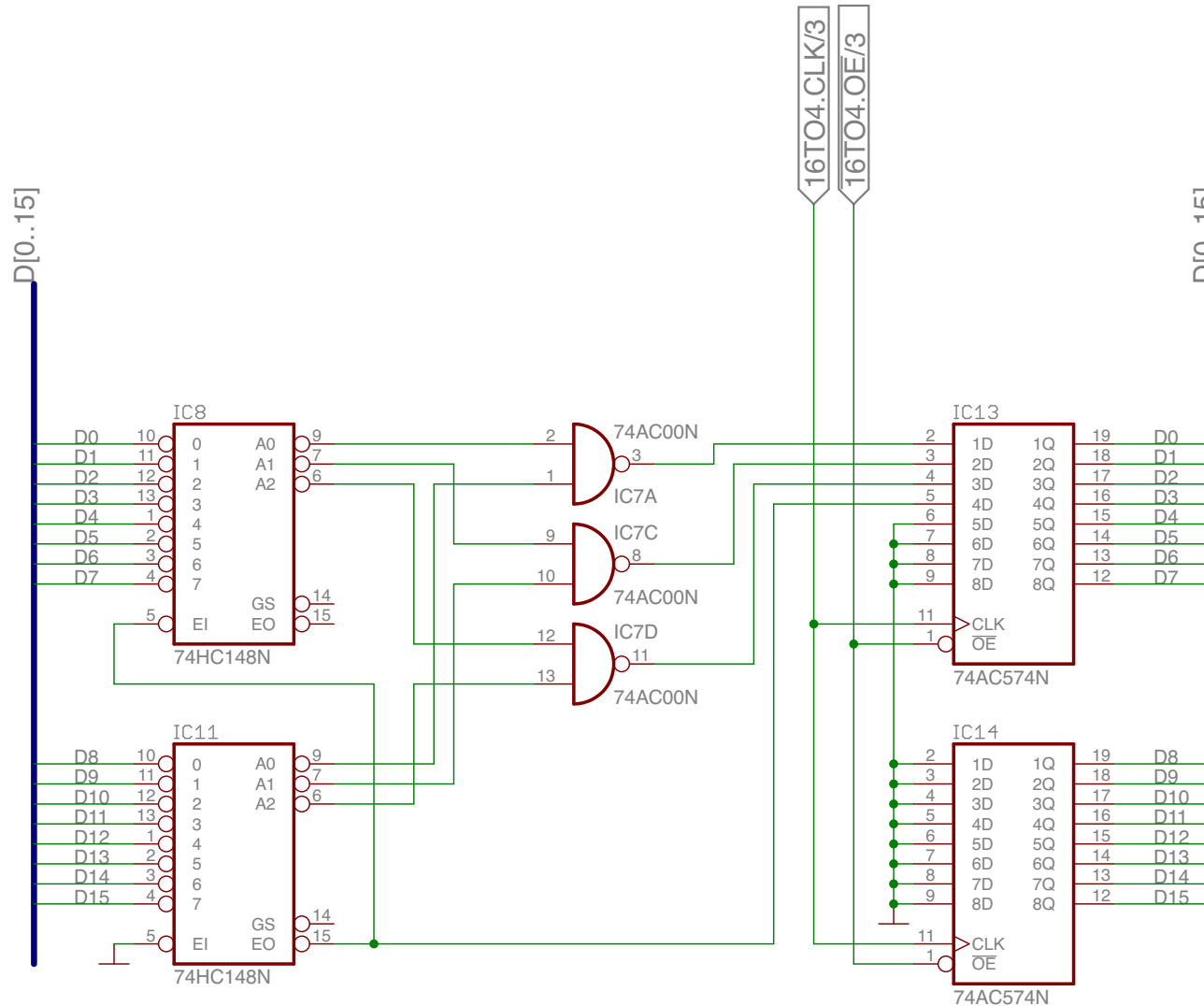
K1-Bus K1-16/16 CPU



2010-01-25 vs. 5.C
16-to-4 Encoder
K1-16/16 CPU

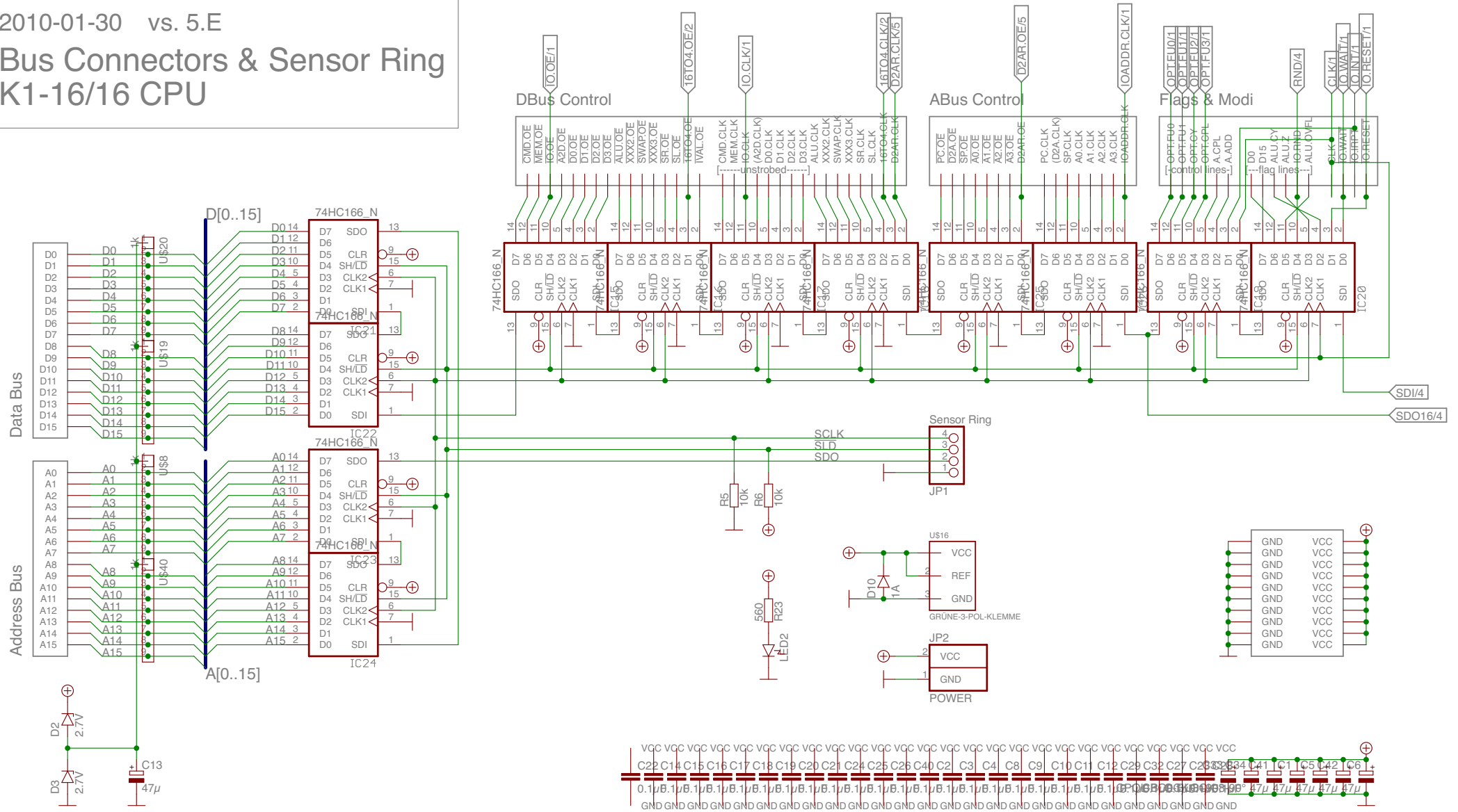
16 to 4 Priority Encoder
Inputs 0-active
Result: 0 .. 15 for highest 0-bit
Result: 0 for \$FFFF

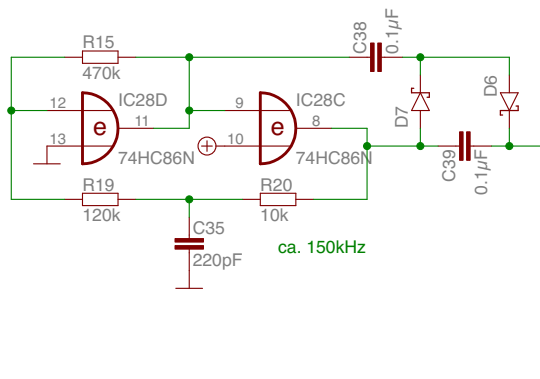
For CadSoft
⊕



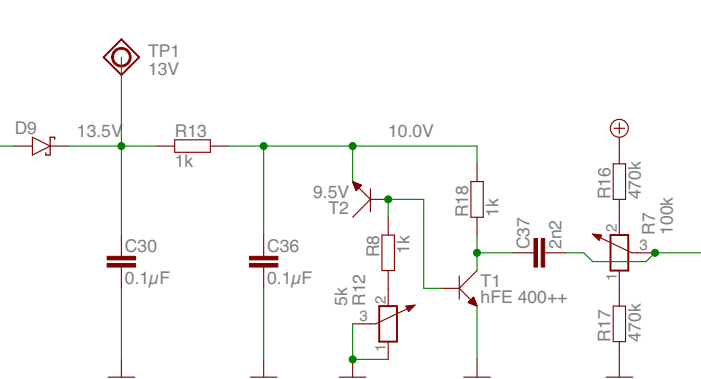
2010-01-30 vs. 5.E

Bus Connectors & Sensor Ring K1-16/16 CPU



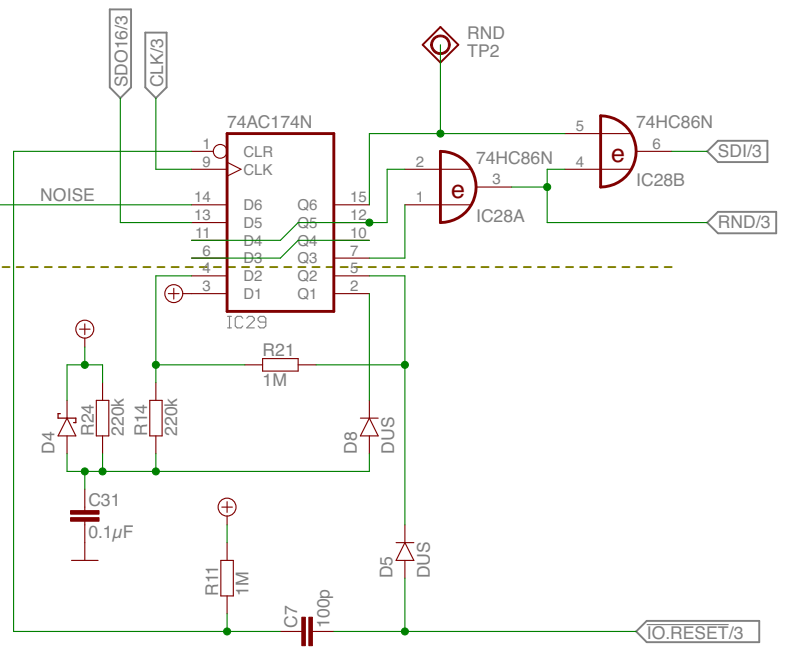


Voltage Pump



Noise Generator

Noise + Pseudo RNG Mixer

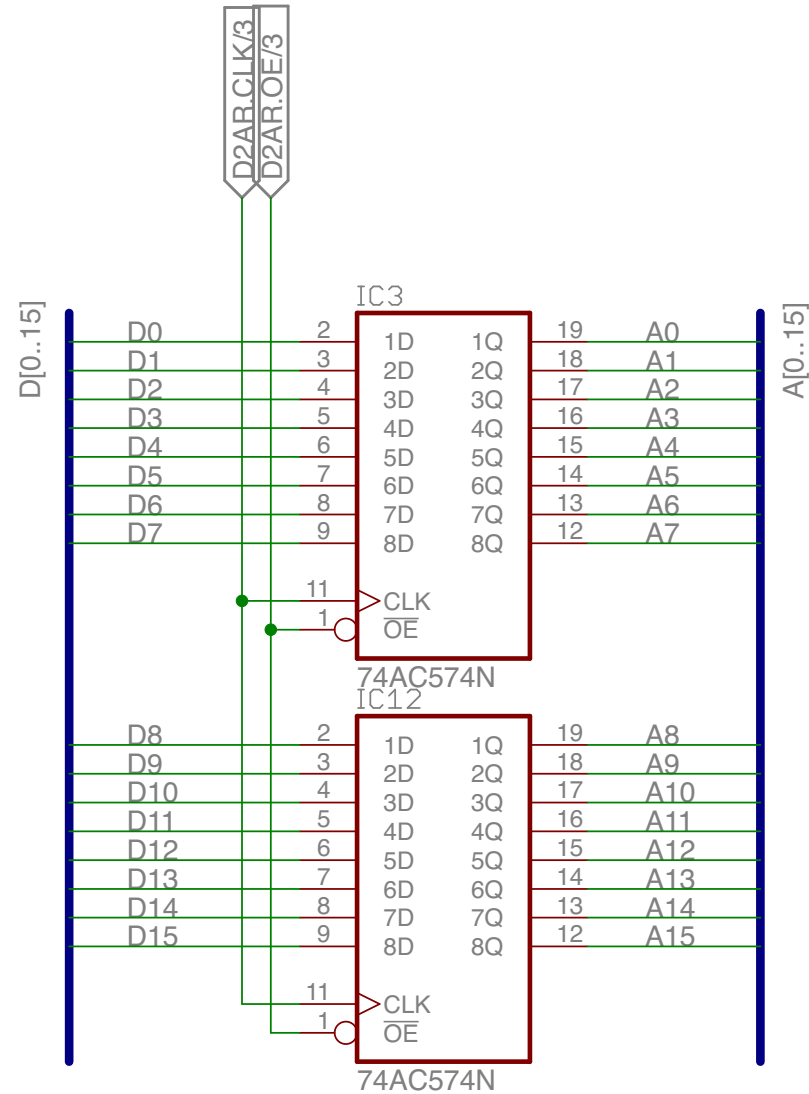


Reset Circuit

K1-16/16 CPU
Random Bit & Reset
2010-01-22 vs. 5.A

2010-01-28 vs. 5.D

D-to-ABus Register K1-16/16 CPU



For CadSoft

